

Dear partners,

Introducing **ELDOM** - the new line of **ELDOM INVEST** water heaters of water heaters. **ELDOM** water heaters are the most powerful in this category. Only in this line, heating elements (2.1 kW + 1.2 kW) in the two water tanks can operate together or separately. This innovation of **ELDOM INVEST** guarantees a large amount of hot water.

Why **ELDOM** water heater is the most balanced consumer choice?



It is the only water heater with a **POWERFUL mode** – for a shorter heating time **ELDOM** provides a very large amount of warm water. This is possible through the simultaneous operation of the two heating elements with a total power of 3.3kW.



Maximum amount of heated water in a minimum time. A specific example with **ELDOM DU080** model: in only 30 minutes you will have 35 liters of warm water sufficient for 5-minute shower (at a flow rate 6 L/min). In 2 hours, the water heater will provide over 120 liters of warm water at 40°C.



SMART mode – In accordance with Regulation (EU) 814/2013 and European standard EN 50440. The intuitive self-learning software monitors the warm water consumption from the water heater for a period of one week and adapts its operation in the future.



Bi-position - **ELDOM** can be installed either in a vertical or horizontal position.





SUPER SAVING – regimes enabling operation during night low-cost periods.



An option to be mounted in confined areas thanks to its slim design (only 279 mm).



LONG LIFE – we use SHIELD technology – hot-water resistant zirconia-based coating of water tanks.



SECURITY – **ELDOM GALANT** models have the unique 6-stage protection of all ELDOM water heaters, including a unique oval-shaped flange of each water tank that protects from over pressure incidents.



Anticorrosion protection – only **ELDOM GALANT** have four anodes (two in each water tank), which guarantees perfect protection of the entire storage volume.



Adaptive color display – the layout is rotated according to the mounting position.



3-year full warranty



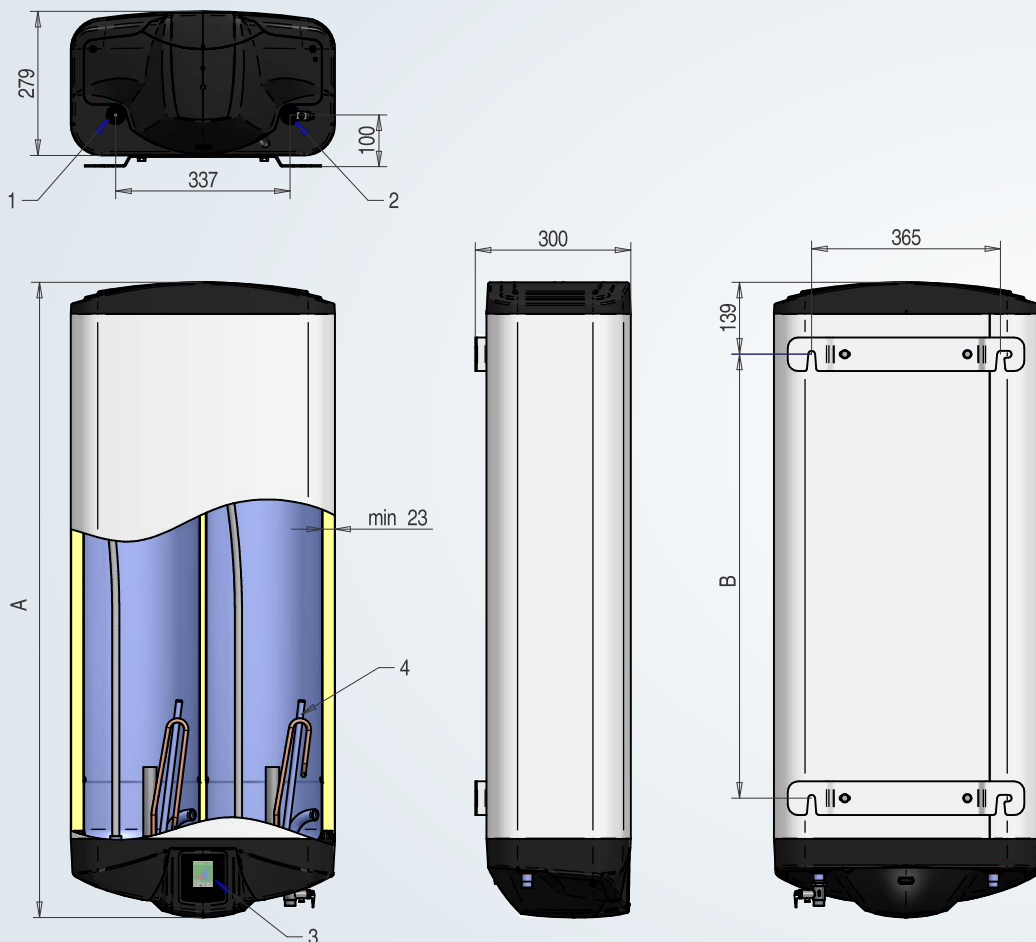
Model DU060

Model DU080

Model DU100



Guaranteed origin – all **ELDOM GALANT** models are manufactured in Bulgaria by **ELDOM INVEST**.



Model	...	DU060	DU080	DU100
Volume range	...	60	80	100
Rated Volume	L	50	65	80
Energy efficiency class	...	B	B	B
Annual electricity consumption	kWh	1274	1238	1311
Rated pressure	Mpa	0.7	0.7	0.7
Rated voltage	V~	230	230	230
Maximum electrical power	kW	2.1 + 1.2	2.1 + 1.2	2.1 + 1.2
MIX 40°C at Tset 75°C	L	98	125	166
Heating time	min	114	120	126
Weight	kg	25	29.6	34.5
CONNECTIONS:				
1: Hot water outlet	...	G 1/2"M	G 1/2"M	G 1/2"M
2: Cold water inlet - Drain	...	G 1/2"M	G 1/2"M	G 1/2"M
EXTRAS:				
POWERFUL mode	...	yes	yes	yes
SMART mode	...	yes	yes	yes
Bi-Position	...	yes	yes	yes
Режим SUPER SAVE	...	yes	yes	yes
6-rate protection	...	yes	yes	yes
STOP corrosion system	...	yes	yes	yes
SHIELD technology	...	yes	yes	yes
DIMENSIONS:				
High	mm	838	1033	1228
Wide	mm	511	511	511
Deep	mm	279	279	279
B	mm	468	663	858

Video instruction for Installation of water heater **ELDOM GALANT** see here:

Video instruction for electronic control settings of water heater **ELDOM GALANT** see here: